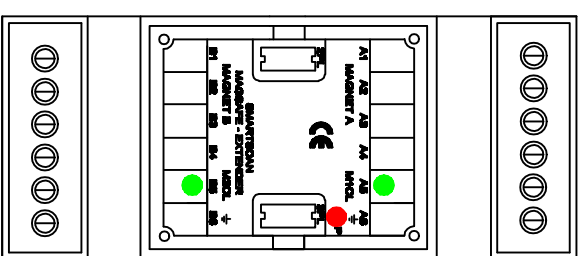
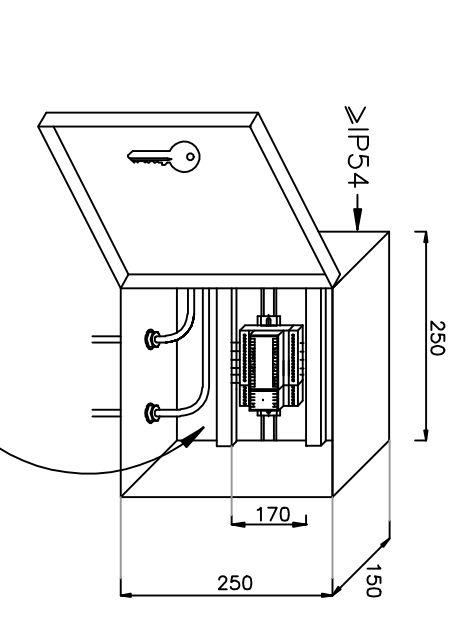


A

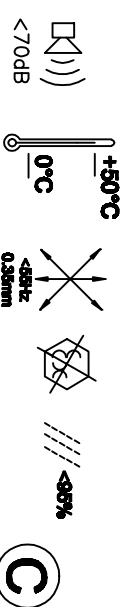


D

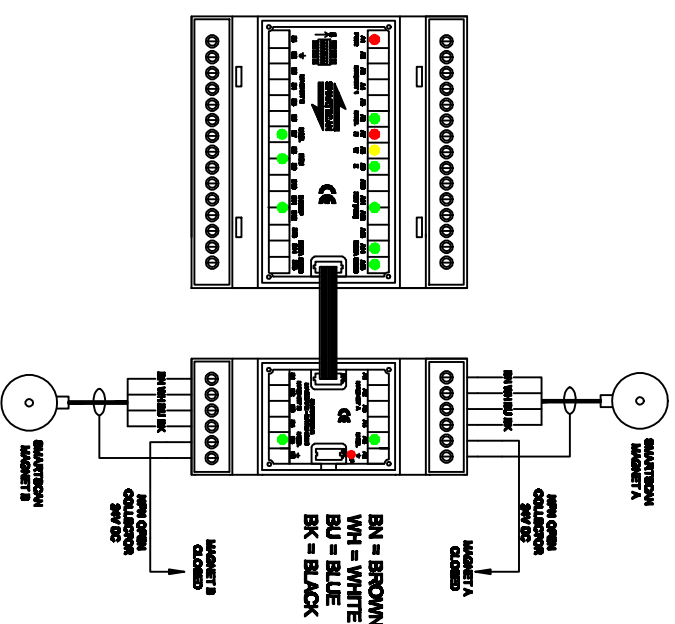
**** AUTHORISED PERSON ****



B



C



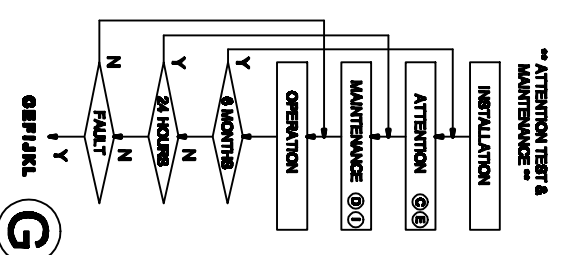
E

1 = 30mA + Magnets
V = +24V DC
P = 40
OC = 80°C

EMERGENCY - Category 4
EN60950-1 PL 6
EN 180 199-1 PL 6

WWW.SMARTSCAN.COM
SMARTSCAN LTD, COBURN NORTHWATER, NANTWICK, BURLINGHAM, LEICESTERSHIRE, LE12 5LQ
TEL: +44-1509-401815 FAX: +44-1509-289004

F



G

EC Declaration of Conformity

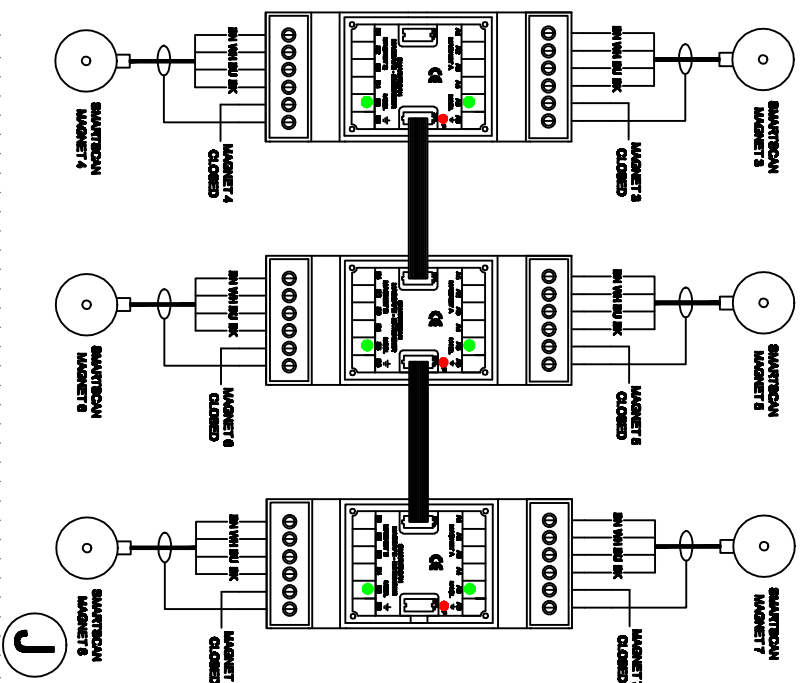
Product: SmartScan Magnet 786-350
 SmartScan Limited, Pymble Road, Wetherby, West Yorkshire, LS23 7EQ, UK
 Declaration made on behalf of the manufacturer
 Signed: [Signature] Date: 16.12.2009

CE

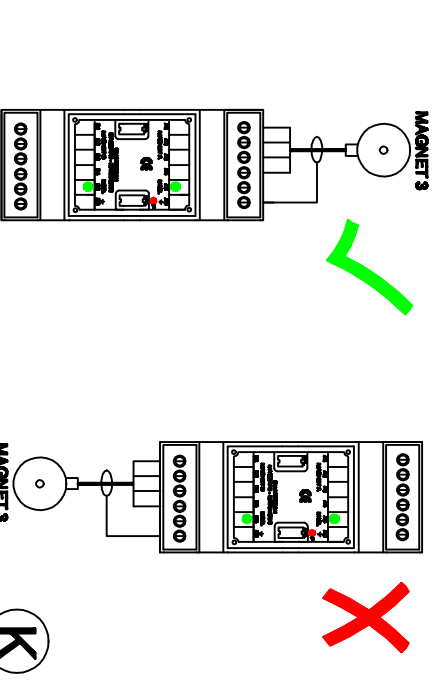
H

KEYSWITCH POSITION	CONDITION	LED COLOURS ON PCB	POWER	MAGNET A (M1CL)	MAGNET B (M2CL)
ENTER	GATE CLOSED	RED	AS	GREEN	GREEN
ENTER	GATE OPEN	GREEN	AS	GREEN	GREEN
RAIN	GATE OPEN	GREEN	AS	GREEN	GREEN
RAIN	GATE CLOSED	GREEN	AS	GREEN	GREEN
FROM RAIN	DURING RAIN PERIOD	GREEN	AS	GREEN	GREEN
TO ENTER	LOOK-OUT PERIOD	GREEN	AS	GREEN	GREEN
RAIN	EDM FAULT	GREEN	AS	GREEN	GREEN
RAIN	E-STOP FAULT	GREEN	AS	GREEN	GREEN
RAIN	LED STEADY ON	GREEN	AS	GREEN	GREEN

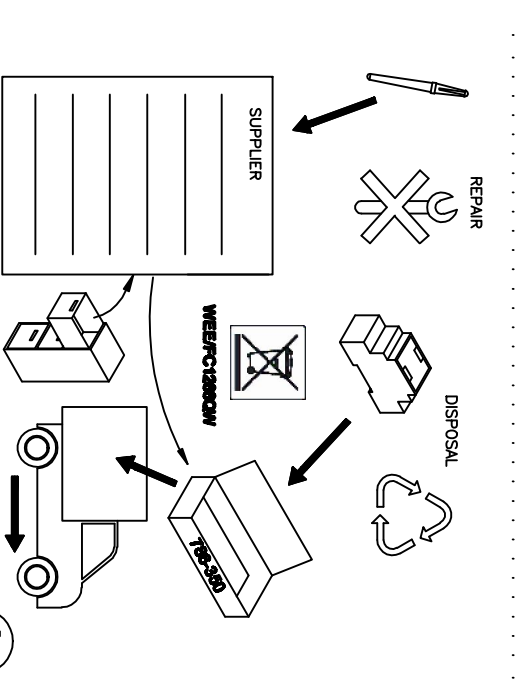
I



J



K



L