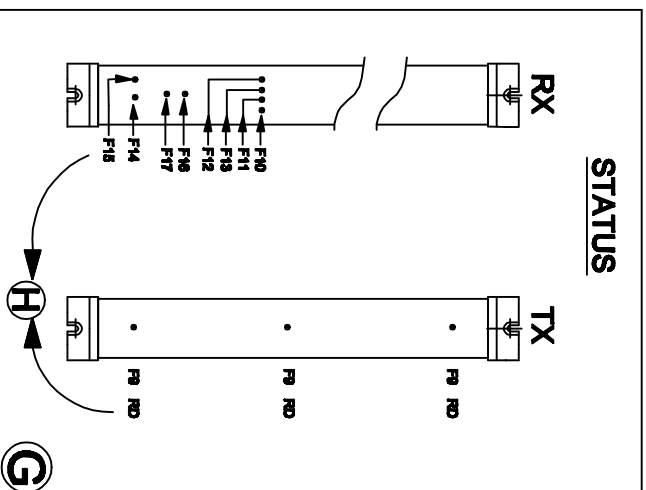
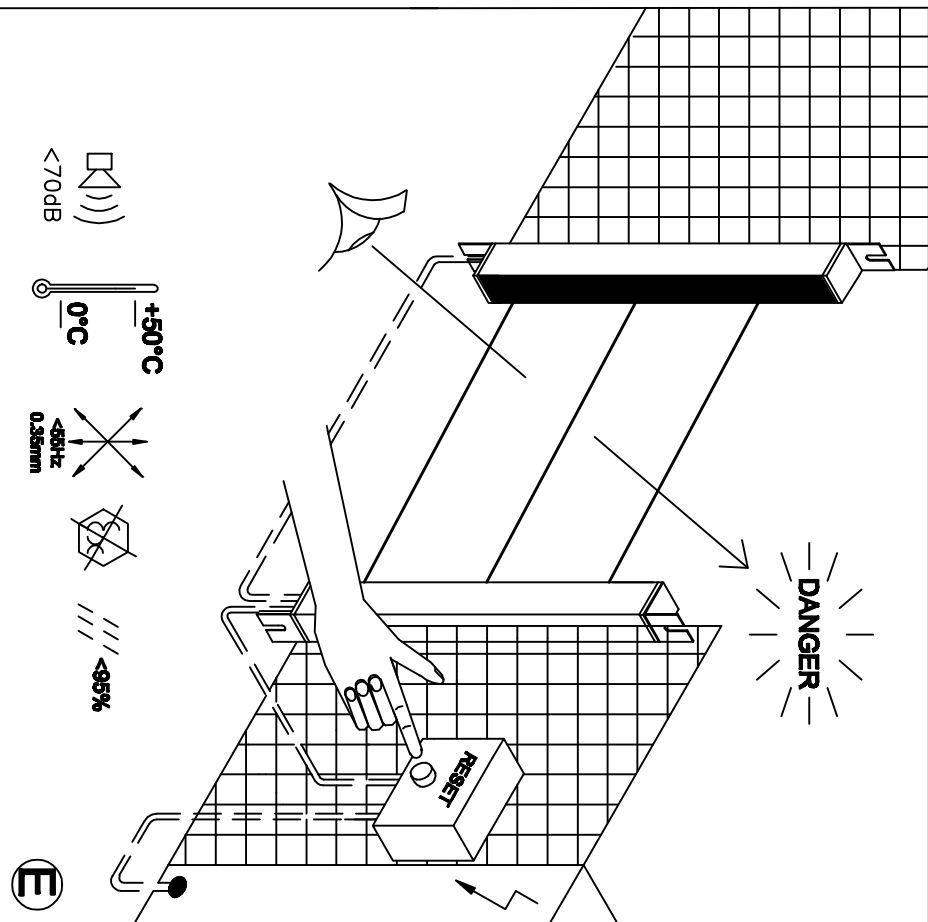
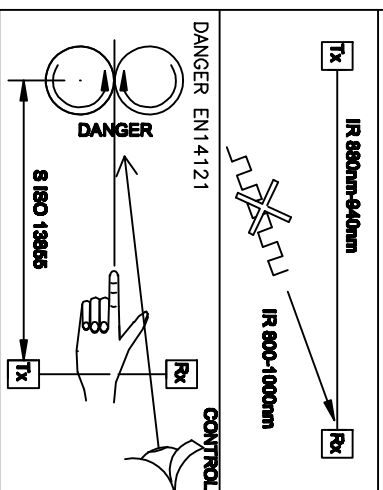
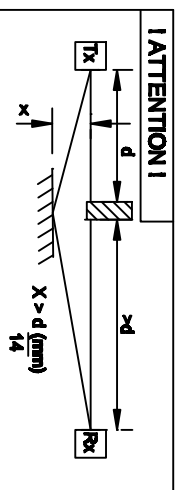
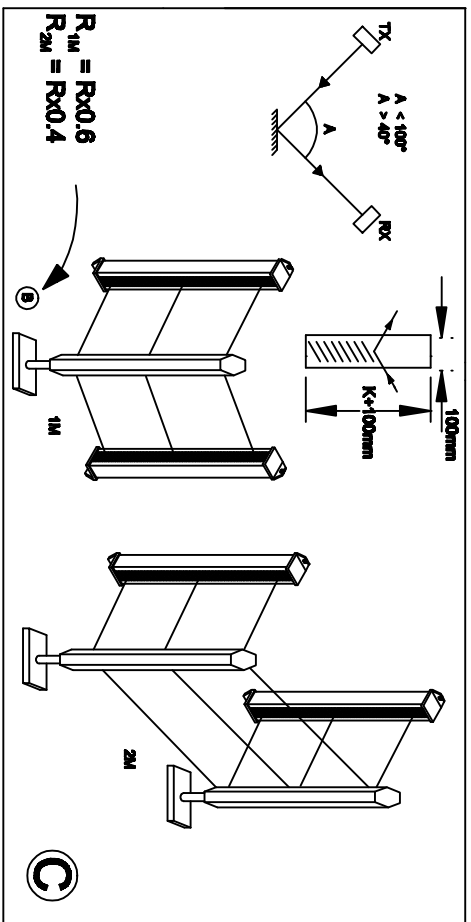
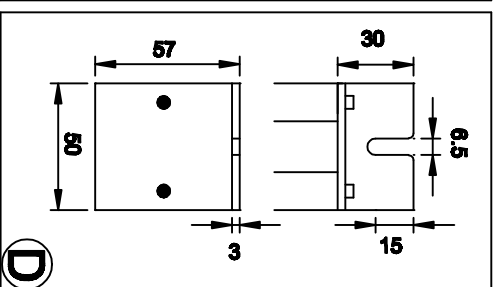
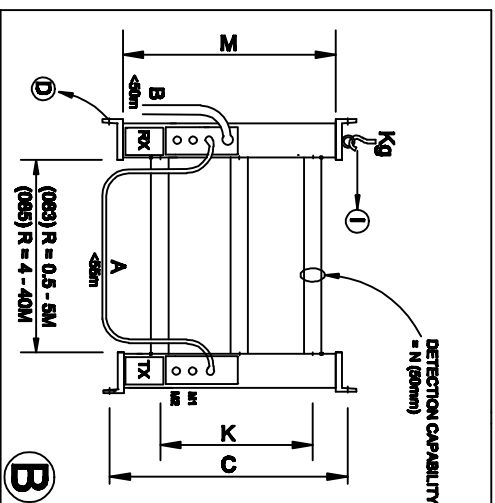
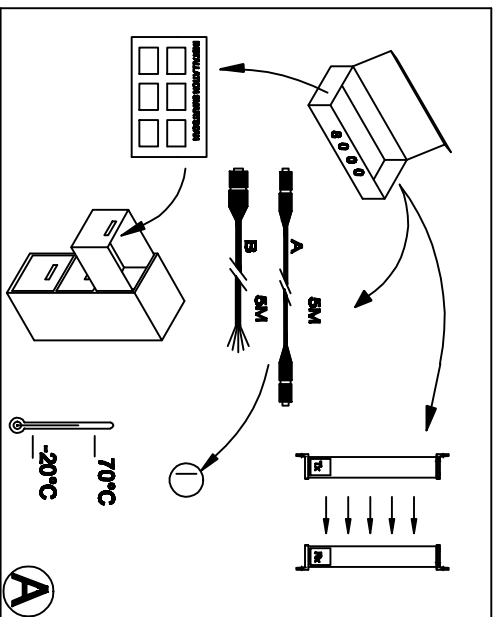


# INSTALLATION 8000 SAFETY LIGHT CURTAIN

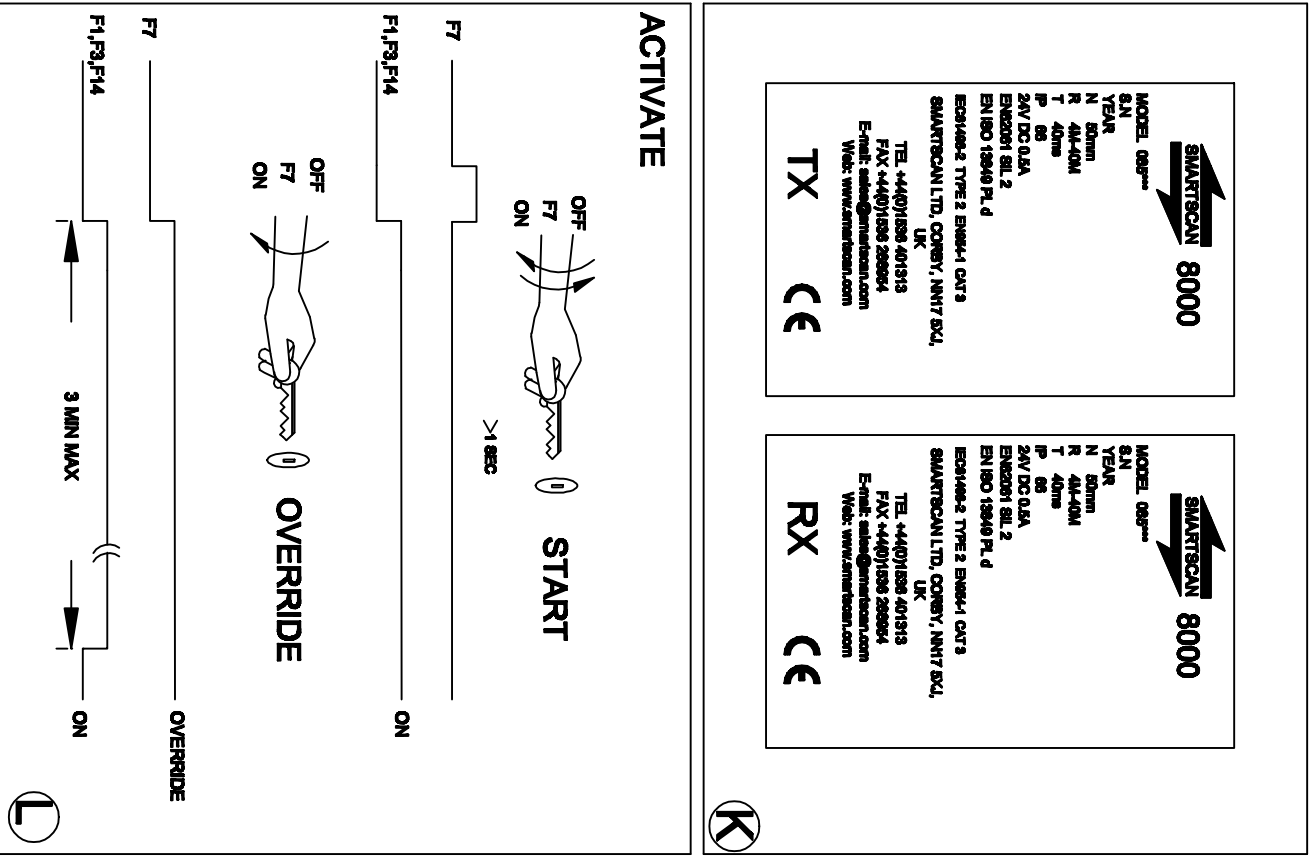
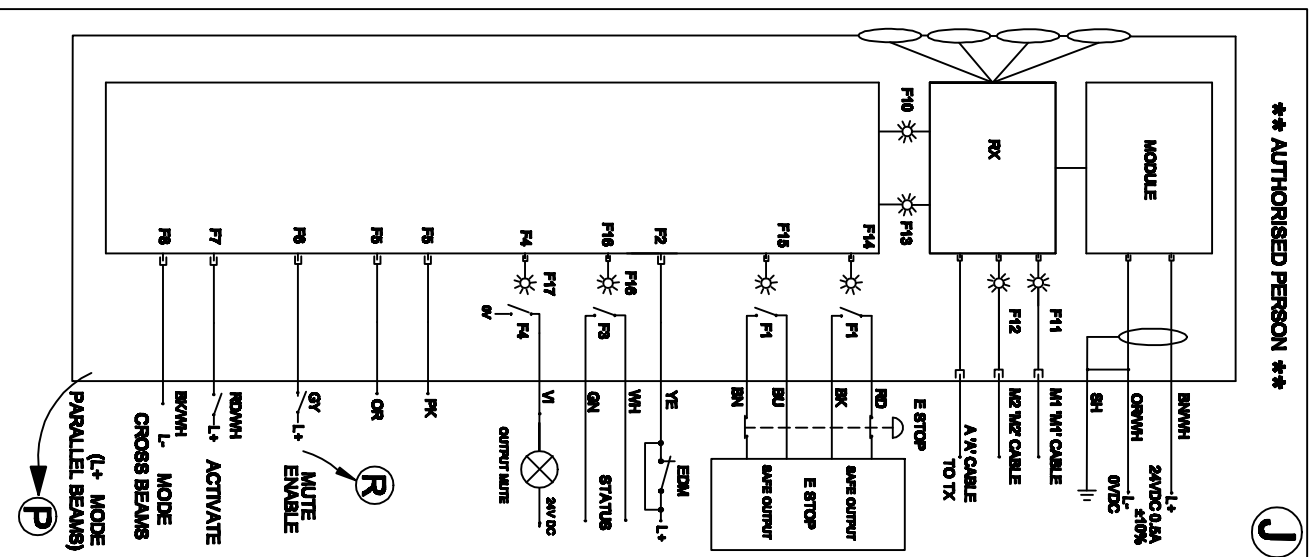
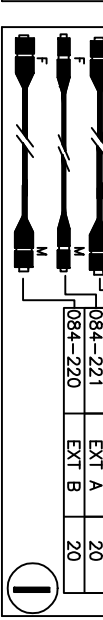
CD159 / 030210



FEATURE	ON	OFF	RATING
F1	CLOSE	OPEN	2A 110V
F2	2AV	OV/OPEN	100mA 30V
F3	CLOSE	OPEN	1A 110V
F4	OV	OV/OPEN	10mA
F5	2AV	OV/OPEN	10mA
F6	2AV	OV/OPEN	10mA
F7	2AV	OV/OPEN	10mA
F8	2AV	OV/OPEN	10mA
F9	RD	RD	
F10	GN	GN	
F11	YE	YE	
F12	RD	RD	
F13	RD	RD	
F14	GN	GN	
F16	YE	YE	
F17	YE	YE	

MODEL	BEAMS	M	K	C	KG	R(m)
083E502	2	572	500	602	2	0.5-5
083E602	2	672	600	702	2.5	0.5-5
083E903	3	972	900	1002	3.5	0.5-5
083E1204	4	1272	1200	1302	4.5	0.5-5
083E502	2	572	500	602	2	4-40
083E602	2	672	600	702	2.5	4-40
083E903	3	972	900	1002	3.5	4-40
083E1204	4	1272	1200	1302	4.5	4-40

\*\* AUTHORISED PERSON \*\*



**SMARTSCAN 8000**

MODEL 083...  
S.N.  
YEAR  
N 50mm  
R 40-40M  
T 40mm  
P 60  
2AV/DC 0.5A  
EMERGENCY SILL 2  
EN ISO 15849 Pt. 2  
EN ISO 15849 Pt. 4  
ECS1446-2 TYPE 2 ENM4-1 CAVT'S  
SMARTSCAN LTD. COMPANY, NANT' DOL,  
UK

TEL: +44(0)1828 401818  
FAX: +44(0)1828 288584  
E-mail: sales@smartscan.com  
Web: www.smartscan.com

**TX**

**SMARTSCAN 8000**

MODEL 083...  
S.N.  
YEAR  
N 50mm  
R 40-40M  
T 40mm  
P 60  
2AV/DC 0.5A  
EMERGENCY SILL 2  
EN ISO 15849 Pt. 2  
EN ISO 15849 Pt. 4  
ECS1446-2 TYPE 2 ENM4-1 CAVT'S  
SMARTSCAN LTD. COMPANY, NANT' DOL,  
UK

TEL: +44(0)1828 401818  
FAX: +44(0)1828 288584  
E-mail: sales@smartscan.com  
Web: www.smartscan.com

**RX**